

Single-Phase BS Type Prepayment Meter and UIU (PLC communication)

Data sheet

205-11-17

Holley

Oversea R&D Center

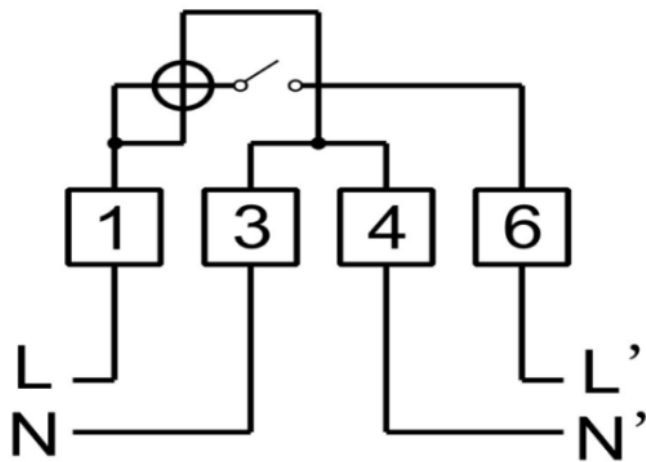


1. Specification

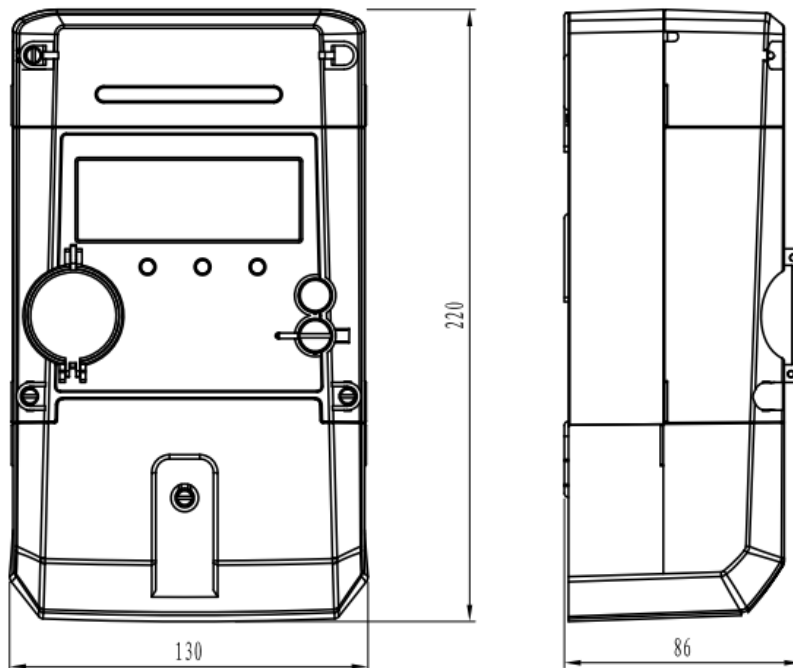
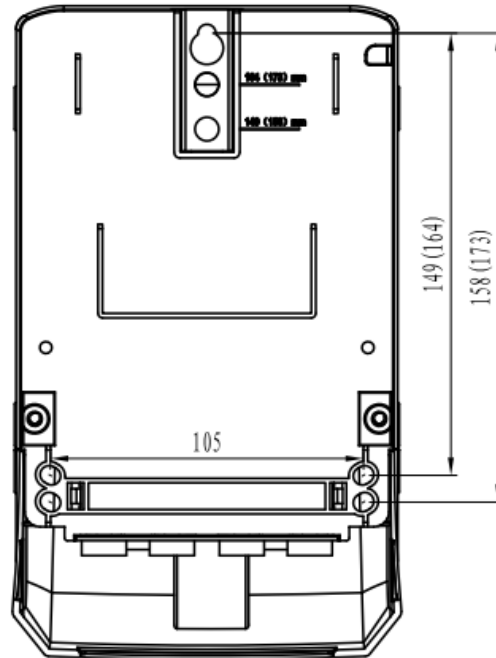
Items	Sub items	Specification
Basic parameter	Meter type	Single phase Two Wire Two Elements
	Accuracy	Active Class 1.0
	Voltage	230V/220V(0.7Un-1.3Un)
	Frequency	50Hz
	Current range	5(80)A
	Starting current	0.004Ib
	Constant	1000 imp/kWh
	Power consumption	Voltage circuit power consumption \leq 2W/10VA Current circuit power consumption \leq 4VA
	Operating Temperature	-25°C ~ +70°C
	Limit Temperature	-30°C ~ +75°C
Storage Temperature	Up to 80°C	
Communication	Local Comm. Port1	Optical: IEC62056-21
	Local Port1 Comm. Protocol	IEC62056-21 C mode
	UIU Comm. Port	PLC
Measurement	Energy measurement	Import active energy = +A + -A Export active energy = -A
	Instantaneous value	Voltage Current Active power Power factor
LED	LED	1 Active pulse output 1 Alarm status 1 Credit status
Tampering& Event	Alarm record	Records event: - Power line reverse

		<ul style="list-style-type: none"> - Meter cover open - Meter terminal open
	Relay disconnection	<ul style="list-style-type: none"> - Load over - Meter cover open(optional) - Meter terminal open(optional)
Prepayment function	Credit way	From UIU credit token
Type Testing	According Standard	IEC 62052-11 IEC 62053-21
Structure	Terminal cover	BS standard
	Protection class	IP51(Outdoor)
	Lead sealing	Sealing screw
	Material	Meter cover: PC Terminal cover: PC
	Dimension	220mm*130mm*86mm
	Weight	Approx. 1.0kg

2. Connection (PLC Solution)



3. Meter Dimension



4. UIU Specification (PLC connection)

Item	Sub-item	Parameter
Basic parameter	Keypad	3X4 keypad
	LCD	Black Light
	Prepayment Function	Compatible IEC62055-51, STS Standard
	Operating temperature range	-25°C ~ +70°C
	Storage temperature	-40°C ~ +85°C
LED& Display	LED	1 Credit status indicate(two colors)
	Backlit(Optional)	Available
	Energy	Active: 6+2 display
	Display	Fixed Symbol: <ul style="list-style-type: none"> · Status of Relay; · Reverse energy; · Operation success/failure symbol; · Circle Display; · Tamper symbol; · Credit balance; · Voltage; · Current; · Power Factory; · Serial number
Battery	AAA*4	Can be change
Mechanical	Dimensions(LxWxH)	148mmx82.5mmx37.5mm
	Weight	Approx. 0.2kg

5. UIU(dimension)

